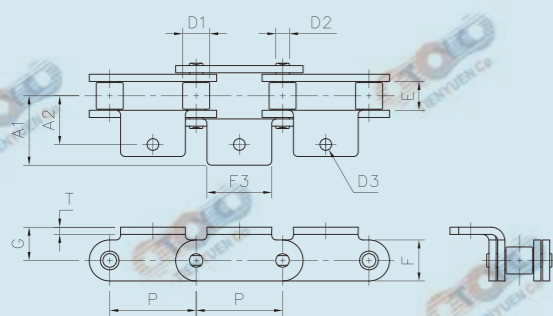


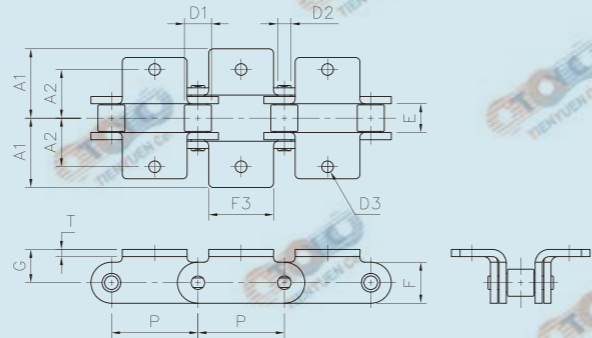
DOUBLE-PITCH ATTACHMENTS



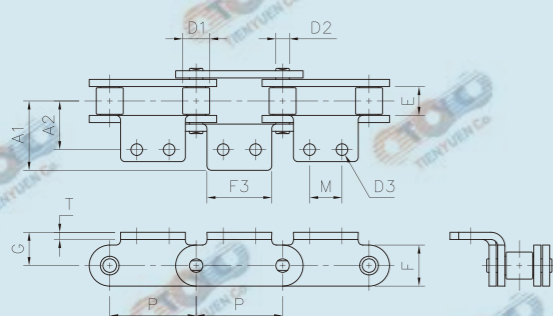
A-1
BENT, ONE SIDE, ONE HOLE EACH TAB



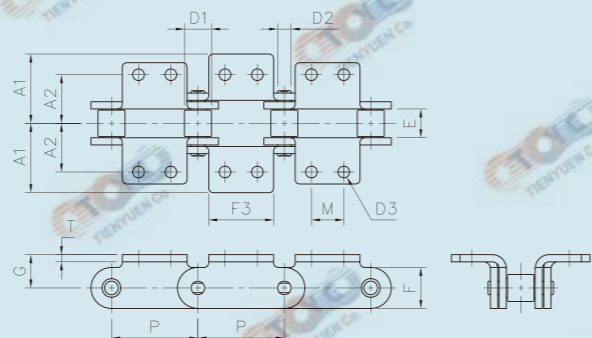
K-1
BENT, TWO SIDES, ONE HOLE EACH TAB



A-2
BENT, ONE SIDE, TWO HOLES EACH TAB



K-2
BENT, TWO SIDES, TWO HOLES EACH TAB

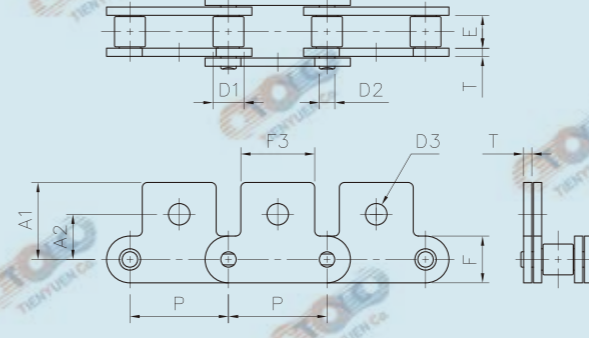


Chain No.	Pitch x Width		Roller D1 mm	Pin D2 mm	Link		Attachment					
	P x E				T mm	F mm	A1 mm	A2 mm	F3 mm	D3 mm	G mm	M mm
	inch	mm										
C2040	1 x 5/16	25.40 x 7.92	7.92	3.98	1.52	11.75	18.85	12.70	19.05	3.57	9.12	9.52
C2050	1-1/4 x 3/8	31.75 x 9.53	10.16	5.09	2.03	15.08	24.00	15.88	25.40	5.16	11.13	11.91
C2060H	1-1/2 x 1/2	38.10 x 12.70	11.91	5.96	3.18	18.09	30.56	21.44	28.58	5.16	14.68	14.27
C2080H	2 x 5/8	50.80 x 15.88	15.88	7.94	3.96	24.13	40.00	27.79	38.10	6.75	19.05	19.05
C2100H	2-1/2 x 3/4	63.50 x 19.05	19.05	9.54	4.75	30.16	49.91	33.32	47.62	8.33	23.42	23.83
C2120H	3 x 1	76.20 x 25.40	22.23	11.11	5.56	34.77	60.71	39.67	57.15	9.95	27.79	28.58
C2160H	4 x 1-1/4	101.60 x 31.75	28.58	14.29	7.14	48.26	80.19	52.37	75.30	13.16	36.53	38.10

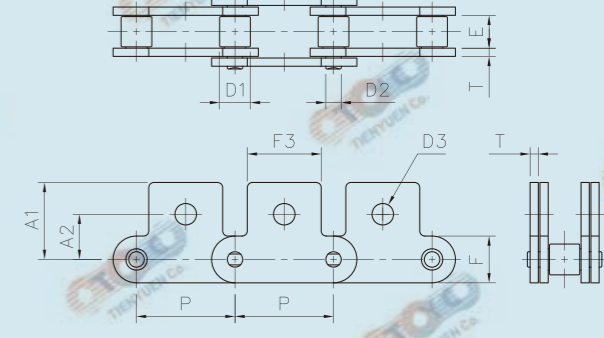
DOUBLE-PITCH ATTACHMENTS



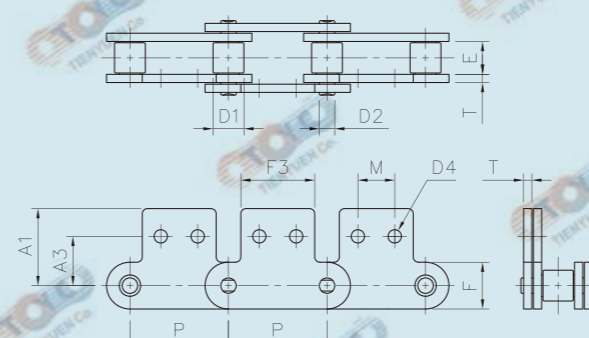
SA-1
STRAIGHT, ONE SIDE, ONE HOLE EACH TAB



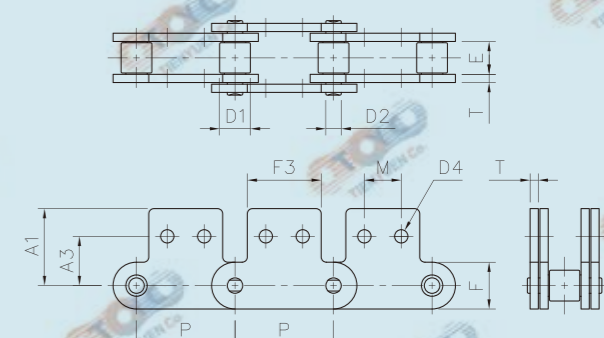
SK-1
STRAIGHT, TWO SIDES, ONE HOLE EACH TAB



SA-2
STRAIGHT, ONE SIDE, TWO HOLES EACH TAB



SK-2
STRAIGHT, TWO SIDES, TWO HOLES EACH TAB

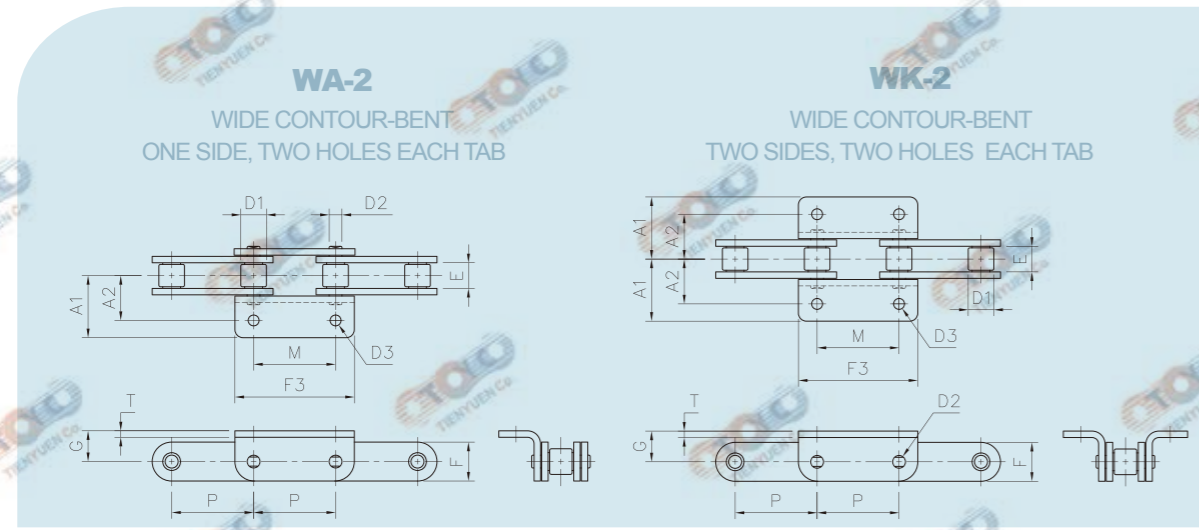


Chain No.	Pitch x Width		Roller D1 mm	Pin D2 mm	Link		Attachment						
	P x E				T mm	F mm	A1 mm	A2 mm	A3 mm	F3 mm	D3 mm	D4 mm	M mm
	inch	mm											
C2040	1 x 5/16	25.40 x 7.92	7.92	3.98	1.52	11.75	19.28	11.12	13.49	19.05	5.16	3.57	9.52
C2050	1-1/4 x 3/8	31.75 x 9.53	10.16	5.09	2.03	15.08	24.60	14.27	15.88	25.40	6.35	5.16	11.91
C2060H	1-1/2 x 1/2	38.10 x 12.70	11.91	5.96	3.18	18.09	29.77	17.48	19.05	28.58	8.33	5.16	14.27
C2080H	2 x 5/8	50.80 x 15.88	15.88	7.94	3.96	24.13	38.10	22.22	25.40	38.10	9.92	6.75	19.05
C2100H	2-1/2 x 3/4	63.50 x 19.05	19.05	9.54	4.75	30.16	50.40	28.58	31.75	47.62	13.11	8.33	23.82
C2120H	3 x 1	76.20 x 25.40	22.23	11.11	5.56	34.77	59.93	33.32	37.31	57.15	14.68	9.92	28.58
C2160H	4 x 1-1/4	101.60 x 31.75	28.58	14.29	7.14	48.26	76.83	44.45	50.80	75.30	19.46	13.24	38.10

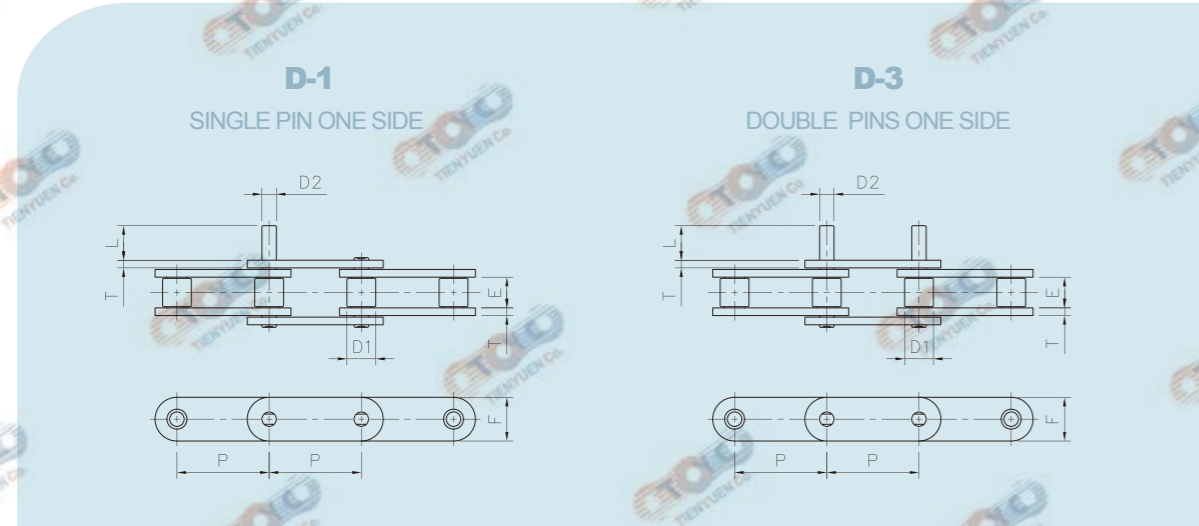
DOUBLE-PITCH ATTACHMENTS

DOUBLE-PITCH ATTACHMENTS

DOUBLE-PITCH ATTACHMENTS

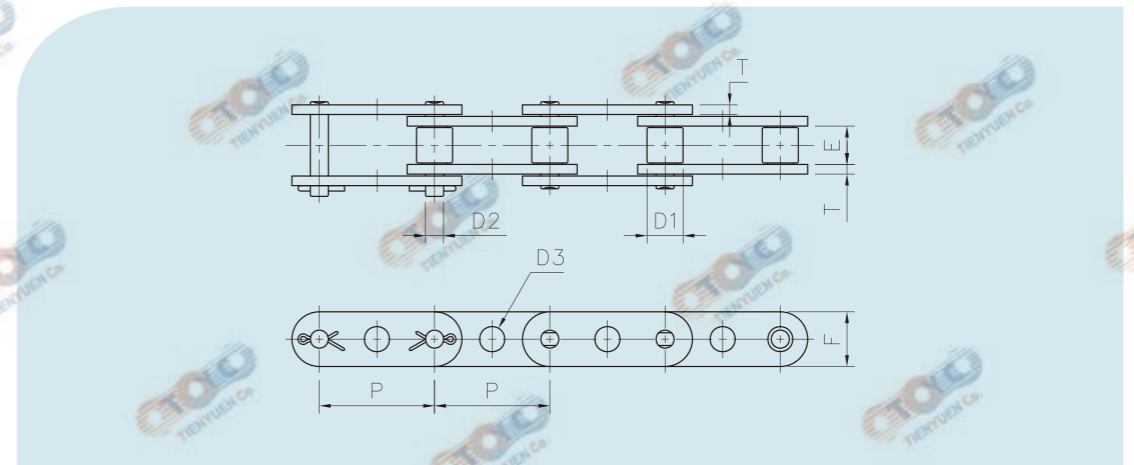


Chain No.	Pitch x Width		Roller	Pin		Link		Attachment				
	P x E			D1	D2	T	F	A1	A2	F3	D3	G
	inch	mm	mm									
C2080H	2 x 5/8	50.80 x 15.88	15.88	7.94	3.96	24.13	38.50	27.80	74.00	6.75	19.05	50.80



Chain No.	Pitch x Width		Roller	Pin			Link	
	P x E			D1	D2	L	T	F
	inch	mm	mm					
C2040	1 x 5/16	25.40 x 7.92	7.92	3.96	9.52	1.52	11.75	
C2050	1-1/4 x 3/8	31.75 x 9.53	10.16	5.08	11.91	2.03	15.08	
C2060H	1-1/2 x 1/2	38.10 x 12.70	11.91	5.94	14.27	3.18	18.09	
C2080H	2 x 5/8	50.80 x 15.88	15.88	7.92	19.05	3.96	24.13	
C2100H	2-1/2 x 3/4	63.50 x 19.05	19.05	9.52	23.83	4.75	30.16	
C2120H	3 x 1	76.20 x 25.40	22.23	11.10	28.58	5.56	34.77	
C2160H	4 x 1-1/4	101.60 x 31.75	28.58	14.27	38.10	7.14	48.26	

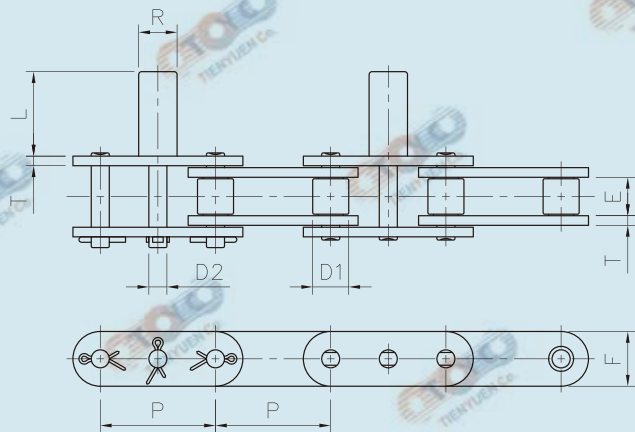
DOUBLE-PITCH with G-1 HOLES



Chain No.	Pitch x Width		Roller	Pin	Link		Nominal G-1 Hole	
	P x E				D1	D2	T	F
	inch	mm	mm	mm				
C2040	1 x 5/16	25.40 x 7.92	7.92	3.98	1.52	11.75	5/32	3.97
							1/4	6.35
							5/16	7.94
C2050	1-1/4 x 3/8	31.75 x 9.53	10.16	5.09	2.03	15.08	7/32	5.56
							1/4	6.35
							5/16	7.94
							21/64	8.33
							15/64	5.95
C2060H	1-1/2 x 1/2	38.10 x 12.70	11.91	5.96	3.18	18.09	1/4	6.35
							5/16	7.94
							21/64	8.33
							11/32	8.73
							3/8	9.53
							7/16	11.11
C2080H	2 x 5/8	50.80 x 15.88	15.88	7.94	3.96	24.13	5/16	7.94
							21/64	8.33
							7/16	11.11
C2100H	2-1/2 x 3/4	63.50 x 19.05	19.05	9.54	4.75	30.16	25/64	9.93
							13/32	10.32
							1/2	12.70

1. Stainless steel and coated chains are available
2. Available in oversized rollers or plastic rollers

DOUBLE-PITCH with D-5 ATTACHMENTS



Chain No.	Pitch x Width		Roller	Pin	Link		Attachment	
	P x E				T	F	R	L
	inch	mm	D1 mm	D2 mm	mm	mm	mm	mm
C2040	1 x 5/16	25.40 x 7.92	7.92	3.98	1.52	11.75	6.35	19.05
C2050	1-1/4 x 3/8	31.75 x 9.52	10.16	5.09	2.03	15.08	7.14	19.63
C2060H	1-1/2 x 1/2	38.10 x 12.70	11.91	5.96	3.18	18.09	9.53	22.22
							9.53	41.28
							11.81	38.10
							12.70	33.34
							12.70	41.28
C2080H	2 x 5/8	50.80 x 15.88	15.88	7.94	3.96	24.13	13.41	38.10
							14.28	41.28
							12.70	41.28
C2100H	2-1/2 x 3/4	63.50 x 19.05	19.05	9.54	4.75	30.16	12.70	63.50
							13.46	31.75