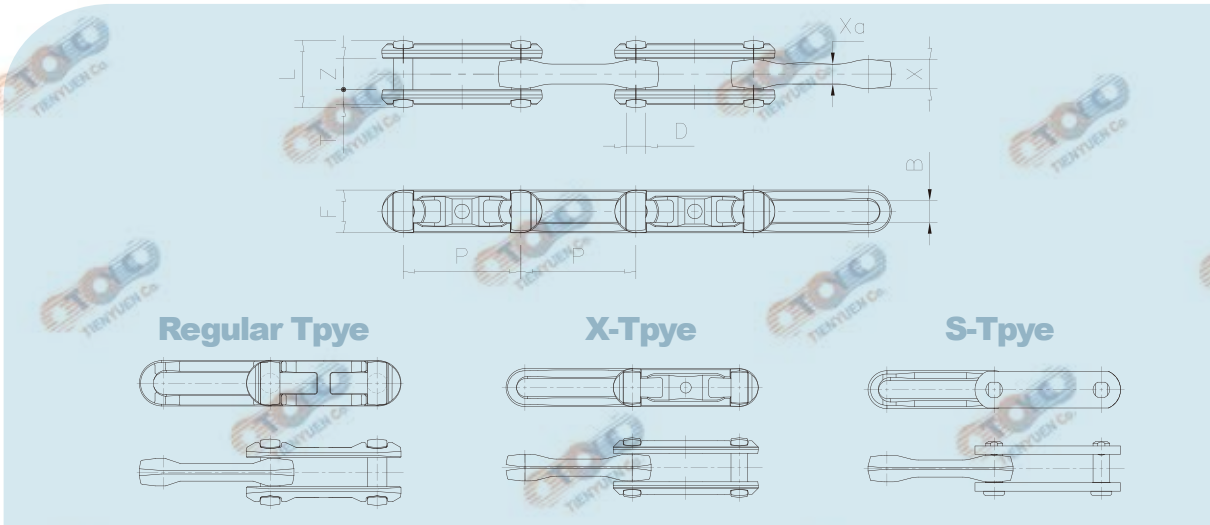


# DROP FORGED RIVETLESS CHAIN

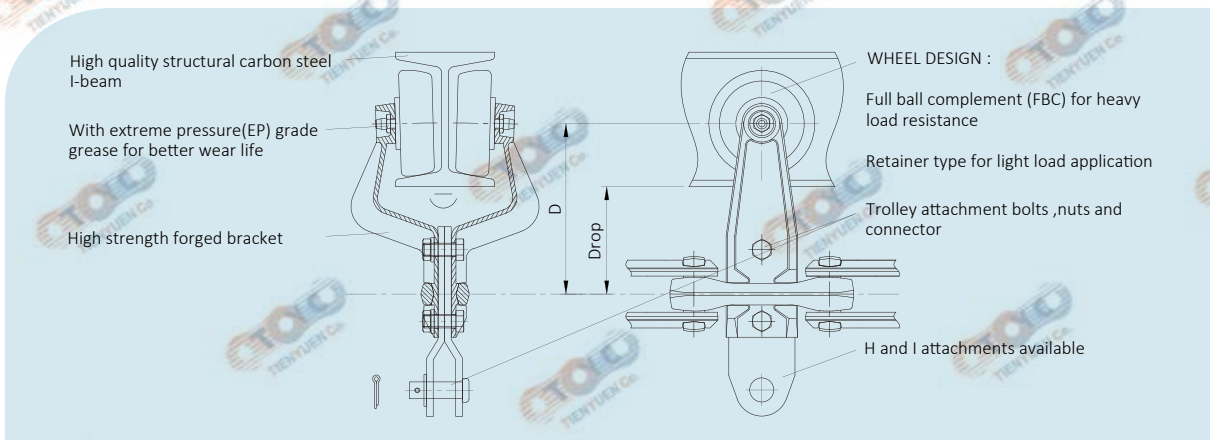
When low cost and reliable quality are on your mind, TYC drop forged rivetless chains are your answer. Consisting of all heat treated components, drop forged rivetless chains are designed to operate in powered and free rolling systems with field assembly or disassembly being made quick and easy with no tools required. The precise pitch control and smooth bearing areas help extend wear life of the forged chain. Combined with trolleys, forged chains can carry work objects along the track of a convey system at your desired spacing.



Chain No.	Pitch		Pin		Link				Outside Link		Avg. Ulti. Tensile Strength		Approx. Weight kg / m
	P	inch	D	L	B	F	X	Xa	T	Z	Carbon	Alloy	
											mm	mm	
X348	3	76.6	12.4	43.9	13.5	27.9	18.8	13.0	10.2	20.1	14,000	18,200	2.92
X458	4	102.4	16.0	57.2	16.8	36.6	25.4	16.3	12.2	27.2	25,000	31,700	4.59
X678	6	153.2	22.1	77.0	24.1	51.6	32.5	21.1	17.8	34.3	40,000	63,500	8.72
698	6	153.2	28.4	95.3	30.0	68.3	39.1	25.4	14.7	41.7	62,000	110,000	16.08

- Other than sizes listed above, S-type drop forged chain is also available. S-type has standard block link, fabricated steel sidebars and T-head pins. For more dimensional details, please contact us
- Connectors such as the extended pin or attachments such as S22 attachment are available upon request.

## I-BEAM TROLLEY



Contact us for trolley and wheel load rating

Trolley Dimension Table	Chain	Drop (from bottom of I-beam to chain center)	Wheel OD	Distance D (from wheel center to chain center)
			mm	mm
3" I - BEAM TROLLEY	X348	2-1/2" ( 63.5mm)	59	100
4" I - BEAM TROLLEY	X458	3-3/16" (81.0mm)	80	128.6
6" I - BEAM TROLLEY	X678	4" (101.6mm)	122	170.6

\* I-Beam is also available.